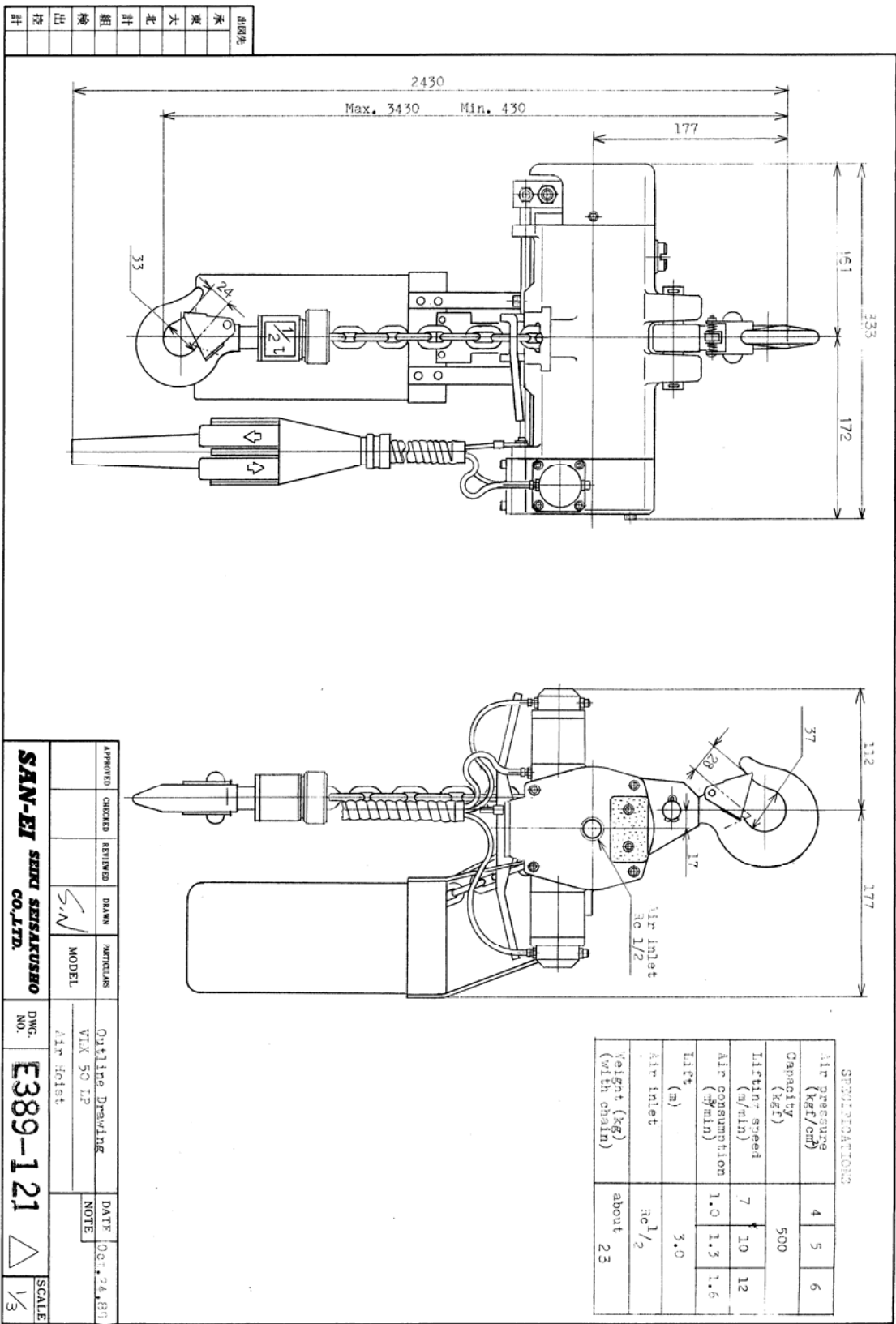


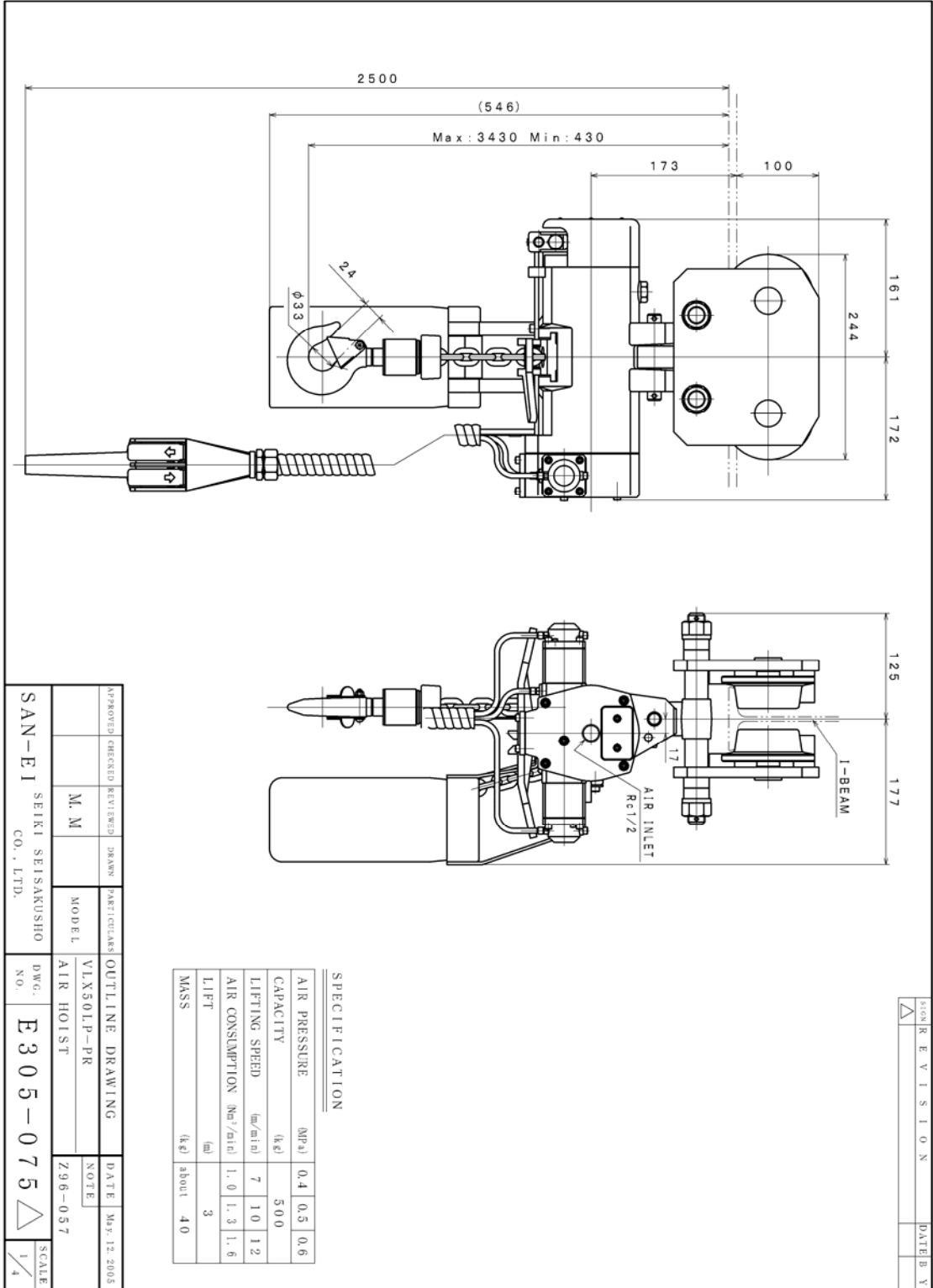
# VLX50LP



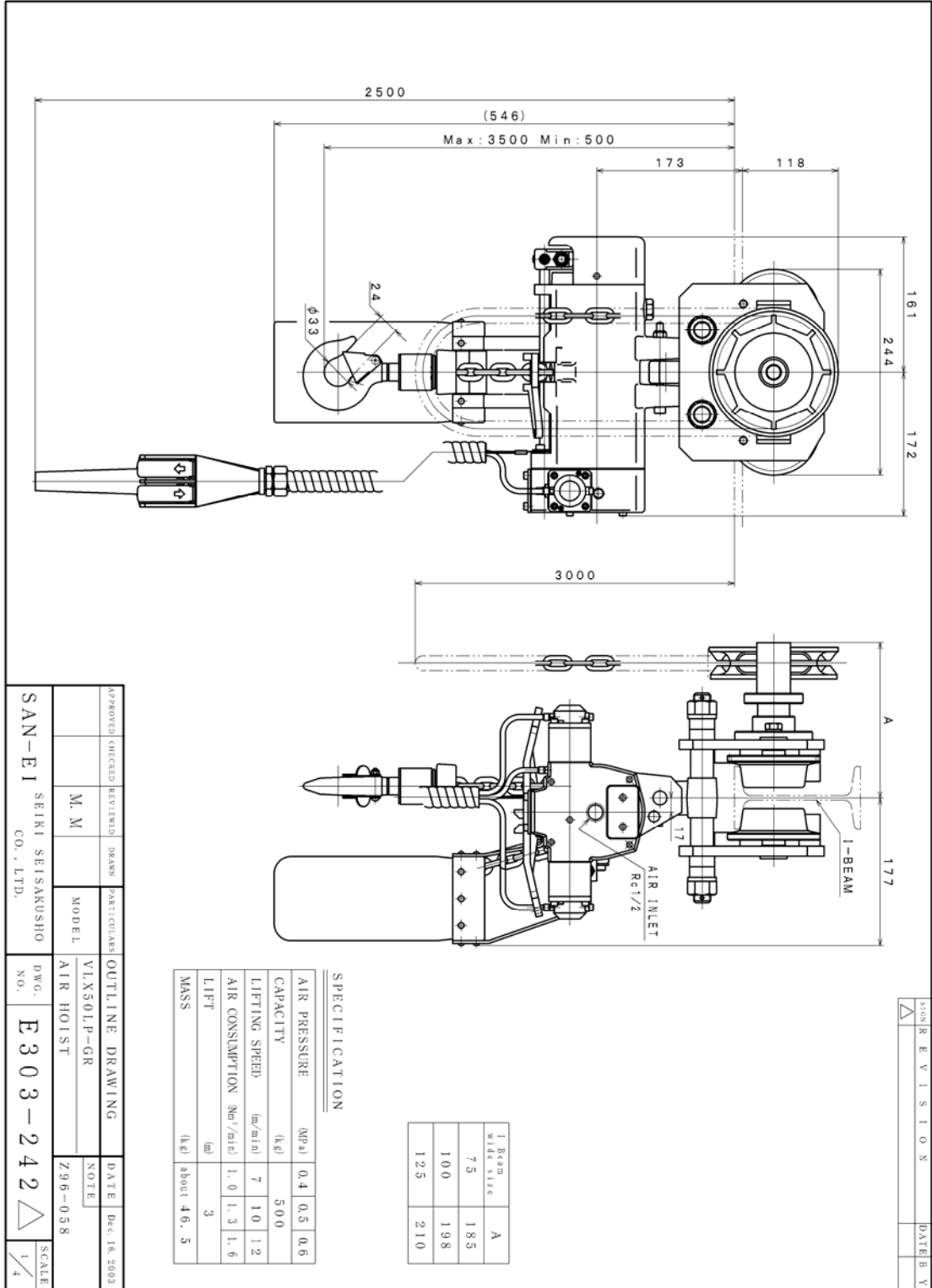
APPROVED	CHECKED	REVIEWED	DRAWN	NOTATIONS	DATE
			S.M.		Oct. 24, 81
MODEL				DATE	
SAN-EI SIKI SESAKUSHO				NOTE	
CO., LTD.				SCALE	
DWG. NO. E389-121				1/3	
AIR HOIST				ASZ	

組	出	計	組	北	大	東	承
計	出	計	組	北	大	東	承

# VLX50LP-PR



# VLX50LP-GR



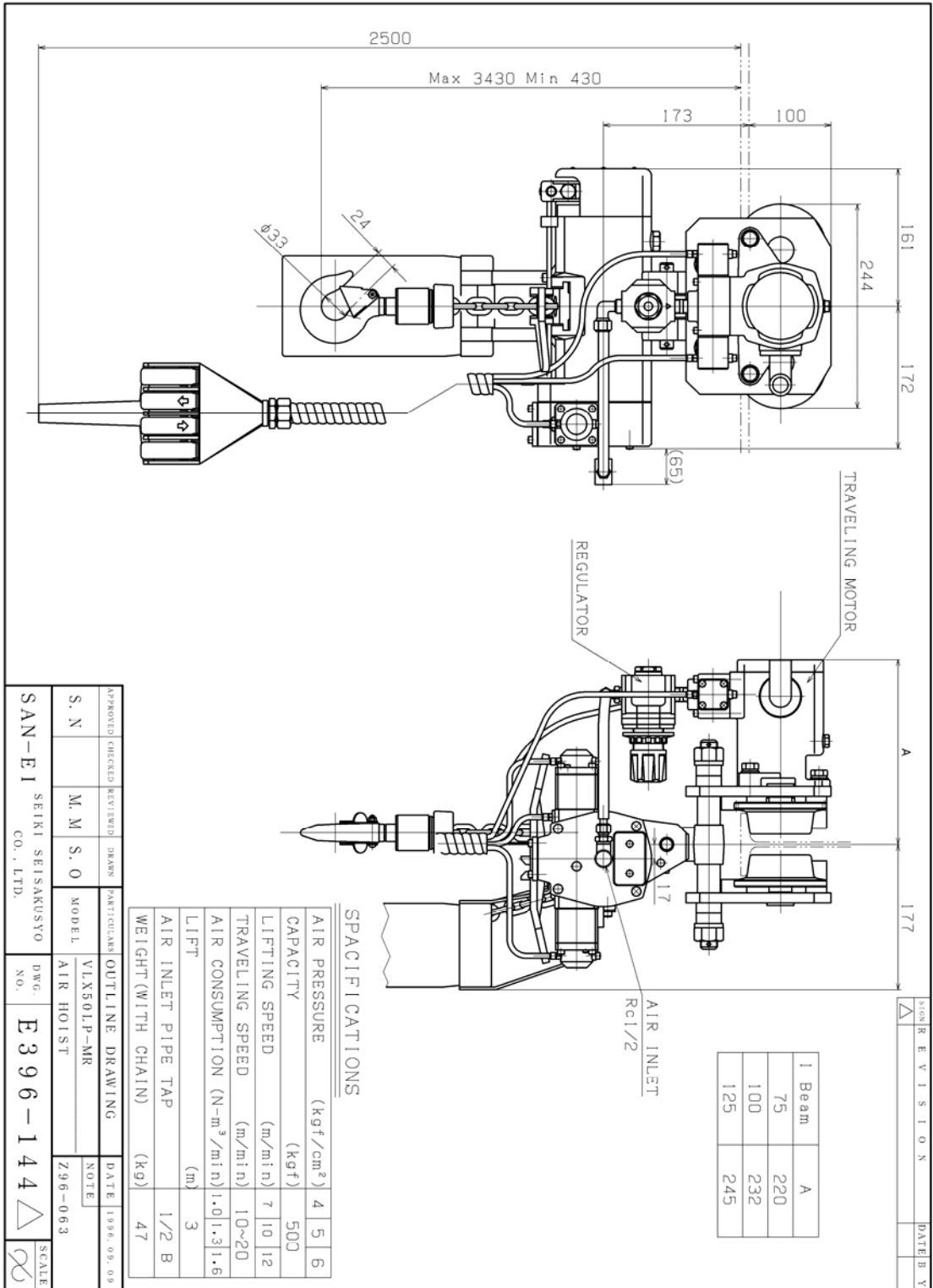
**SPECIFICATION**

AIR PRESSURE	(MPa)	0.4	0.5	0.6
CAPACITY	(kg)	500		
LIFTING SPEED	(m/min)	7	10	12
AIR CONSUMPTION	(Nm <sup>3</sup> /min)	1.0	1.3	1.6
LIFT	(m)	3		
MASS	(kg)	about 46.5		

APPROVED	CHECKED	REVIEWED	DRAWN	PARTICULARS	DATE	DATE
		M. M		OUTLINE DRAWING	Dec. 16, 2003	
				MODEL		
				AIR HOIST		
SAN-EI SEIKI SEISAKUSHO CO., LTD.					DWG. NO.	E303-242
					NOTE	Z96-058
					SCALE	1/4

REVISION DATE BY

# VLX50LP-MR



APPROVED	CHECKED	REVIEWED	DRAWN	PARTICULARS	OUTLINE DRAWING	DATE
					VLX50LP-MR	1996.09.09
					AIR HOIST	NOTE
						Z96-063

SAN-EI SEIKI SEISAKUSYO CO., LTD. DWG. NO. E396-144 SCALE

